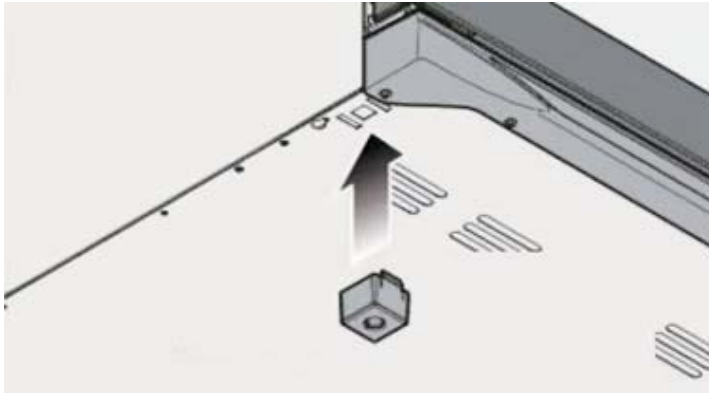
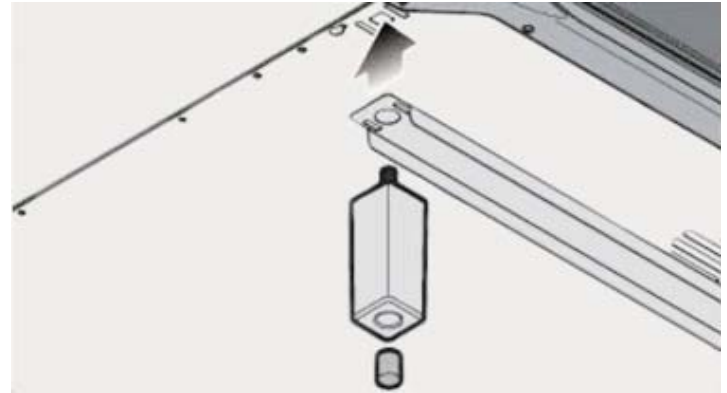




QUARTER & HALF SIZE OVENS
Please be sure to snap feet on
before putting oven in place.



FULL SIZE OVENS
Please be sure to screw legs in,
along with leg braces,
before putting oven in place.



Feet not required if oven is put on stand.